

BAC 320

01001204-xxx OLI-1



***Photo for illustrative purposes*

External dimensions [L x l x h]

1200 x 800 x 965 mm

Internal dimensions* [L x l x h]

985 x 590 x 575 mm

Internal volume

327 L

Empty weight

90 Kg

Logistical specifications

Euro pallet 800 x 1200 mm

** Average value for reference purposes*



Chilled



Frozen



Ambient

Insulated container standard specifications

Box & Lid :

- Monobloc wall in UV-resistant food-grade polyethylene ;
- Injected polyurethane foam ;
- Monobloc silicone frame seal ;
- 2 sealable front toggle closures, ergonomic handling sheath, yellow zinc coating ;
- Zinc-plated box-door hinge ;
- 80° lid opening assisted by gas struts ;
- 4 metallic stacking lugs on the lid ;
- Maximum capacity of storable pellets : ≈ 250 kg.

Chassis :

- Embedded support frame with yellow zinc coating and filmogenic treatment ;
- 2 swivel wheels, 2 fixed sandwich polyamide noise-reducing wheels attached to a plate, diameter 125 mm and height 155 mm ;

Accessory options

Brakes : set of 2 polyamide sandwich wheels with brakes, diameter 125 mm (see user guide) ;

Feet : set of 4 metal feet diameter 80 mm

Customization

Signage : heat-sealed adhesive – ready-to-print file provided by the client.

Tracking : temperature/GPS tracking solution.

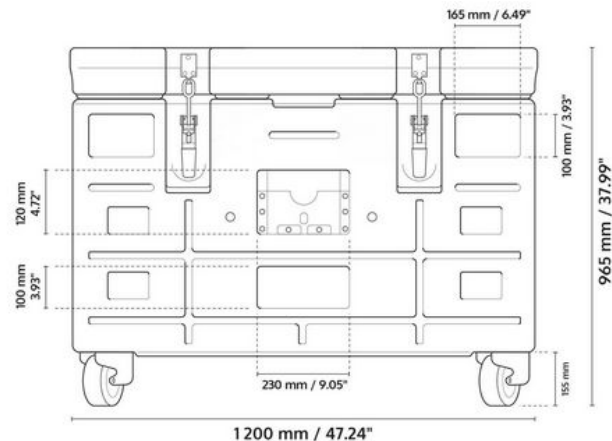
Logo molded into the mass.

Branding marking : engraved aluminum plate 150 x 90 mm

Cold source

ADVICES

Eutectic plates : up to 2 eutectic plates TOP370 all temperature according to the existing Olivo standard.



Insulated container properties

Thermal

Coef K.	0.35 W/m2.°C
ATP category	IR
Temperature resistance	-80°C/+70°C
Double wall thickness	≈ 100 mm
Internal convection grooves	

Mechanical

Dynamic load capacity	600 Kg
Static load capacity	1200 Kg

Double-walled, rotational-molded and grooved

For advice on best practices for use and thermal performance, contact the Olivo team / contact@olivo.eu



ATP

Update 26 /10/2023