

Roll 130

01001203-xxx OLI-1



*Photo for illustrative purposes

External dimensions (L x l x h)

600 x 715x 800 mm

Internal dimensions* (L x l x h)

420 x 520 x 620 mm

Internal volume

138 L

Empty weight

30 Kg

Cold source - advices

Eutectic plate : up to 2 eutectic plates TOP130 all temperature according to the existing Olivo standard

Insulated container standard specifications

Box & door :

- **Monobloc wall** in UV-resistant food-grade polyethylene ;
- **Injected polyurethane** foam ;
- **Monobloc silicone** frame seal ;
- **Sealed lateral toggle closure**, yellow zinc coating ;
- **115° door opening** ;
- **8 side-handling handles** rotationally molded into the mass ;
- **Mass-produced boss** for stacking ;

Accessory options

Removable caster base : made of galvanized steel, rolling configuration in accordance with the existing Olivo standard ;

Customization

Signage : heat-sealed adhesive – ready-to-print file provided by the client.

Tracking : temperature/GPS tracking solution.

Logo molded into the mass.

Branding marking : engraved aluminum plate 150 x 90 mm

* Average value for reference purposes



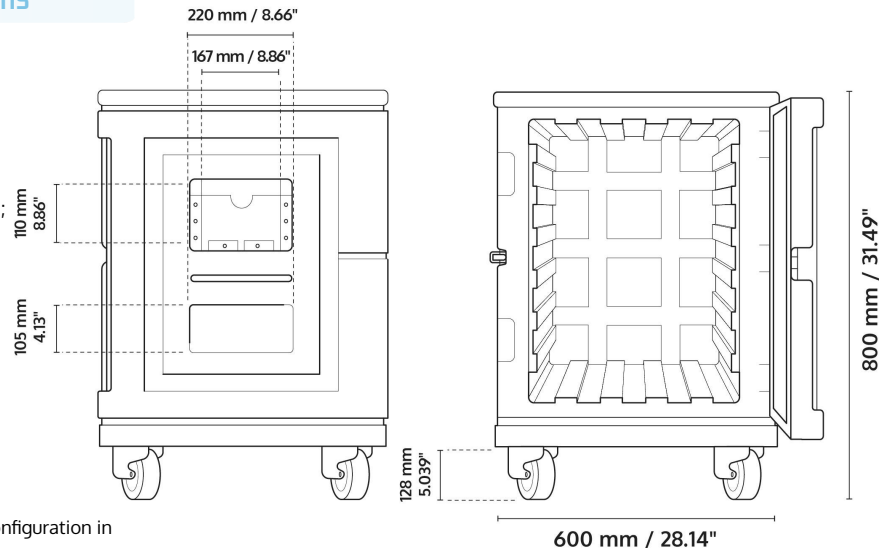
Chilled



Frozen



Ambient



Insulated container properties

Thermal	Coef K.	0.38 W/m ² .°C
	ATP category	IR
	Temperature resistance	-80°C/+70°C
	Double wall thickness	≈ 90 mm
Mechanical	Internal convection grooves	
	Dynamic load capacity	480 Kg
	Static load capacity	960 Kg
Double-walled, rotational-molded and grooved		

For advice on best practices for use and thermal performance, contact the Olivo team / contact@olivo.eu

■ Update 26/10/2023