

BOX 34

010041xx-



**Photo for illustrative purposes*

External dimensions (L x l x h)

555 x 360 x 331 mm

Internal dimensions (L x l x h)

1490 x 300 x 255 mm

Internal volume

34 L

Empty weight

1,5 Kg



Chilled



Frozen



Ambient

Insulated container standard specifications

Box & lid :

- Monobloc wall made of expanded food-grade polypropylene ;
- Removable lid with positioning mesh for eutectic plate ;
- 2 molded-in-side-handling grips ;

Customization

Signage : heat-sealed adhesive – ready-to-print file provided by the client.

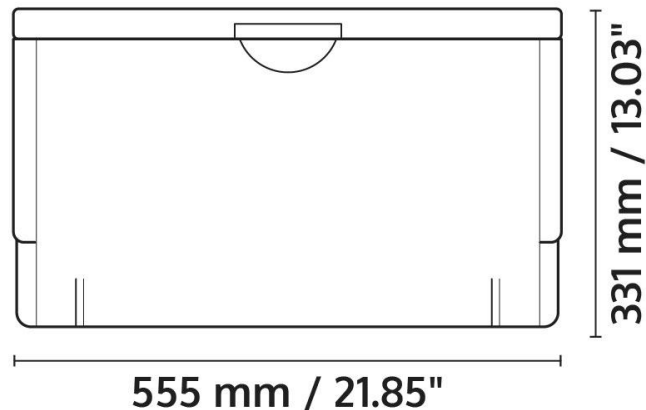
Tracking : temperature/GPS tracking solution

Logo molded into the mass

Cold source

Eutectic plate : 1 eutectic plate TOP64 all temperature according to the existing Olivo standard.

SiberCity : lid with mixed dry ice injection, suitable for both chilled and frozen.



Insulated container properties

Thermal

Temperature resistance
Double wall thickness

-80°C/+70°C
≈ 35 mm

Mechanical

Dynamic load capacity
Static load capacity

-
-

Double-walled, rotational-molded and grooved



■ Update 26 /10/2023